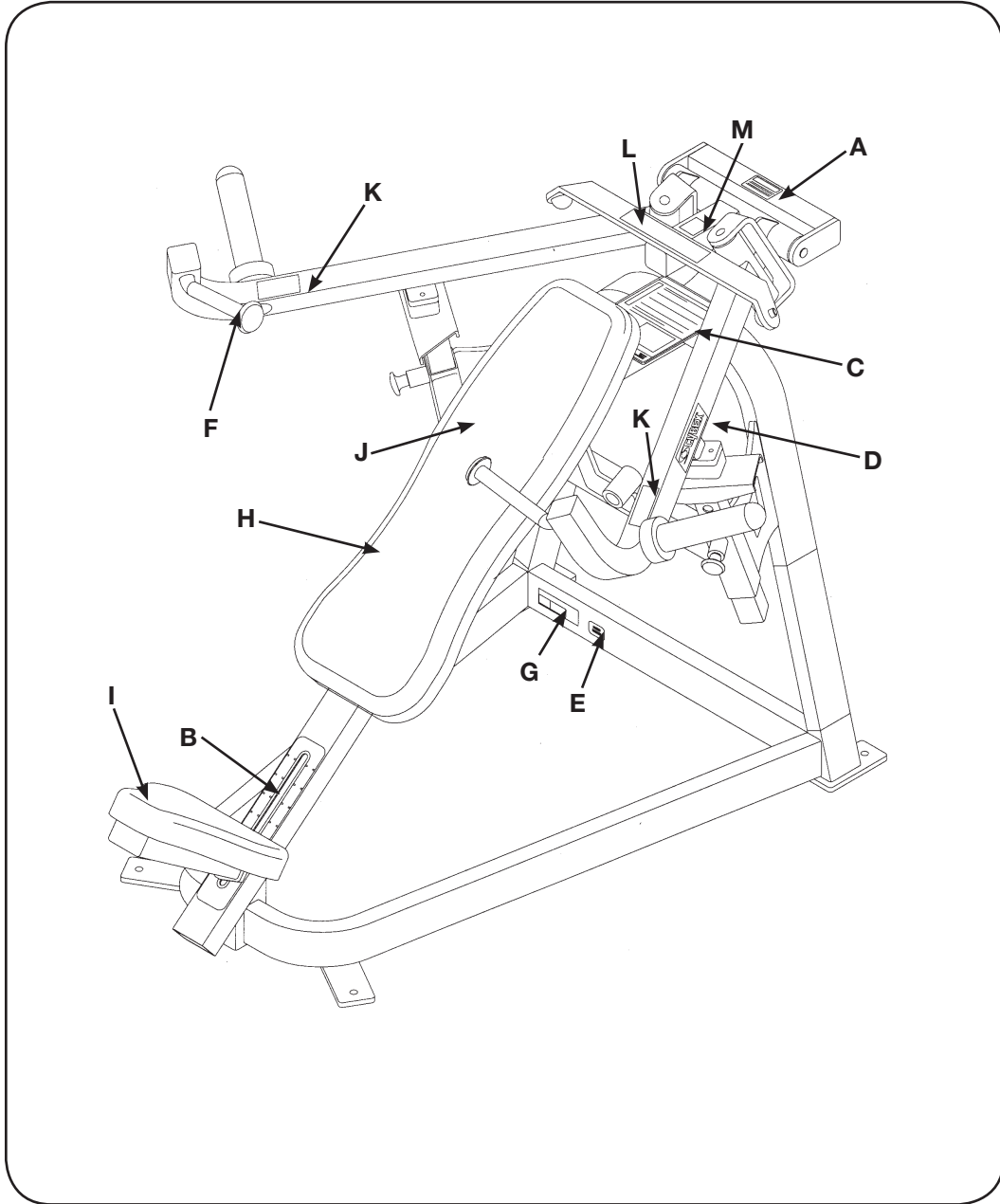


ADVANCED INCLINE

PRODUCT NO. 5251



DESCRIPTION	PART NO.	DESCRIPTION	PART NO.
A. Caution Decal	4000Y316	H. Back Cushion with Wear Cover (Item J)	██████████
B. Adjustable Seat Decal	5221-316	I. Seat Cushion	4800-026
C. Placard Decal	5251-316	J. Wear Cover	██████████
D. Cyber Decal Black	3900-445	K. Warning Decal	5220-337
D. Cyber Decal Silver	3900-446	L. Warning Decal	5220-365
E. Patent Pending Decal	CM000211	M. Caution Decal	5221-319
F. Grip	4605-500	N. Caution Decal	4520-362
G. Serial Number Decal			

Cybox Plate Loaded Owner's Manual

5251 - Advanced Incline

ITEM QTY	PART NO.	DESCRIPTION	ITEM QTY	PART NO.	DESCRIPTION
1	11040-440	Cybox Knob	28	HC702815	SHCS .375-16 x .750
2	08229	Detent Pin	29	HC702817	SHCS .375-16 x 1.00
3	4000Y316	White Caution Decal	30		Removed
4	4505-331	Bumper 1.50 Dia.	31	PN660200	Plastic Insert 1.00 Dia. x 11 G
5	4520-212	Seat Roller	32	PP090202	Plastic Insert 1.50 x 3.0 x 11 G
6	4605-550	Plug	33	PP090210	Plastic Insert 2.00 Sq x 10-14 G
7	4520-331	Roller	34	4605-500	Grip 6"
8		Removed	35	JC700434	BHSCS .375-16 x 3.00
9	4605-334	Pivot Shaft 13.06	36		Removed
10	5220-305	Bumper 2.00 x 4.00	37	HC700430	BHSCS .375-16 x 2.50
11	5220-367	Plastic Spacer	38	5226-207	Right Hand Adjusting Tube
12	5220-320	Pivot Shaft 7.06	39	5226-206	Left Hand Adjusting Tube
13	5221-316	Adjustable Seat Decal	40	HF449063	Tube Insert
14	5251-200	Frame	41	PP080207	Plastic Insert
15	5251-201	Pivot	42	5220-337	Warning Decal
16	5251-202	Left Hand Arm	43	5220-365	Warning Decal
17	5251-203	Right Hand Arm	44	5226-319	Caution Decal
18	5251-204	Seat	45		Back Cushion with Wear Cover
19	5251-316	Placard Decal	46		Wear Cover
20	3900-445	Cybox Decal 1.00 Horiz. Black	47	4605-326	Seat Cushion
20		Removed 7-03	48	5226-319	Adjusting Tube Decal
20	3900-446	Cybox Decal 1.00 Horiz. Silver	49	4520-213	Bracket
21	5330M040	Plug	50	4520-362	Caution Decal
22	5362-312	Machined Bumper	51	HS347700	Washer USS .375
23	5490P010	Weight Tube 8.00	52	JC702812	SHCS .375-16 x .50
24	BR030210	Retaining Ring 17 mm	53	11090-376	Handle Grip Ring
25	BS070201	Com Spring .56 x .66 x 1.50 L	54	51198	Strength Warranty Sheet (not shown)
26	CM000211	Patent Pending Decal	55	JS347400	Internal Tooth Lockwasher
27	FB030232	Radial Bearing 17 mm ID			

5251 - Advanced incline

